

FORM AND FUNCTION

- Sleek, low profile housing
- Spec grade performance
- Engineered for optimum thermal management
- Low depreciation rate
- Reduces energy consumption and costs up to 65%
- Exceeds IES foot candle levels utilizing the least number of poles and fixtures per project
- Optical system designed for:
 - Parking Lots
 - Auto Dealerships
 - General Area Lighting

CONSTRUCTION

- Die Cast Aluminum
- External cooling fins, Finite Element Analysis (FEA) designed
- Corrosion resistant external hardware
- One-piece silicone gasket ensures IP-65 seal for electronics compartment
- One-piece Optics Plate™ mounting silicone Micro Optics
- Two-piece silicone Micro Optic system ensures IP-67 level seal around each PCB
- Grade 2 Clear Anodized Optics Plate™ standard

FINISH

- 3-5 mils electrostatic powder coat.
- NLS' standard high-quality finishes prevent corrosion protects against and extreme environmental conditions

WARRANTY

Five-year limited warranty for drivers and LEDs.



NV-1 with DPS3

LISTINGS

- Certified to UL 1598
- UL 8750
- CSA C22.2 No. 250.0
- DesignLights Consortium® (DLC)
- DesignLights Consortium Premium® (DLCP)
- IP65/ IP67 Rated
- 3G Vibration Rated per ANSI C136.31-2010



LED WATTAGE CHART

	16L	32L	48L	64L
350 milliamps	18w	-	-	-
530 milliamps	28w	-	-	-
700 milliamps	36w	71w	104w	136w
1050 milliamps	56w	106w	156w	205w

Project Name:

Type:

Cat #	Light Dist.	No. of LEDs	Milliamps	Kelvin	Volts	Mounting	Color	Options
NV Size 1 (NV-1)	Type 2 (T2)	16 (16L)	350	3000K	120-277	Direct Pole Single, D180 3" (DPS3)	Bronze (BRZ)	Bird Deterrent (BD) Marine Grade Finish (MGF) Optic Plate Painted to Match Fixture (OPP) Nema 7-Pin Receptacle (PET) Photocell + Receptacle (PCR) Receptacle + Shorting Cap (PER) FSP-211 with Motion Sensor (UNV Voltage) (FSP-20) *9'-20" Heights (FSP-40) *21'-40" Heights Quick Mount Bracket (QMB) Retrofit Mount Bracket (RQMB) Round Pole Adaptor 3"- 4" Pole (RPA4) Round Pole Adaptor 5"- 6" Pole (RPA5) Rotated Optic Left (ROL) Rotated Optic Right (ROR) Automotive House Side Shield (AHS) House Side Shield (HSS) *HSS not applicable with N2 - NEMA 24° Optics *HSS not applicable with N3 - NEMA 30° Optics
	Type 3 (T3)	48 (48L)	530	4000K	347-480		White (WHT)	
	Type 4 (T4)	64 (64L)	530	4000K	347-480		Silver (SVR)	
	Type 5 (T5)		700	5000K		Black (BLK)		
	Nema 2 24° Narrow Beam (N2)		1050			Graphite (GPH)		
	Nema 3 30° Narrow Beam (N3)					Grey (GRY)		
						Custom (CS)		

ELECTRICAL

- 120-277 Volts (UNV) or 347-480 Volts (HV)
- 0-10V dimming driver by Philips Advance
- Driver power factor at maximum load is $\geq .95$, THD maximum load is 15%
- All internal wiring UL certified for 600 VAC and 105°C
- All drivers, controls, and sensors housed in enclosed IP-65 compartment
- Lumileds Luxeon MX LED's
- CRI >70
- Color temperatures: 3000K, 4000K, 5000K
- Surge Protection: 20KVA supplies as standard.

OPTIONS

- **BIRD DETERRANT (BD)**—offers effective and humane deterrent for larger bird species and provides cost-effective long-term solution to nuisance bird infestations and protect your property.
- **MARINE GRADE FINISH (MGF)**—A multi-step process creating protective finishing coat against harsh environments.
 - Chemically washed in a 5 stage cleaning system.
 - Pre-baked
 - Powder coated 3-5 mils of Zinc Rich Super Durable Polyester Primer.
 - 1-2 feet inside pole coverage top and bottom.
 - Oven Baked.
 - Finished Powder Coating of Super Durable Polyester Powder Coat 3-5 mil thickness.
- **SHIELDS (HSS, AHS)**—House Side Shield (HSS) is designed for full property line cut-off. Automotive House Side Shield (AHS) is a single-sided shield allowing partial cut-off on either side or front of luminaire.
- **ROUND POLE ADAPTER (RPA)**— When using round poles, specify Round Pole Adapter (RPA). Specify RPA4 when installing on 3"-4" round poles, and RPA5 when installing on 5"-6" round poles.

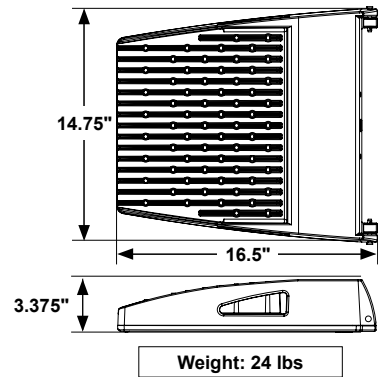
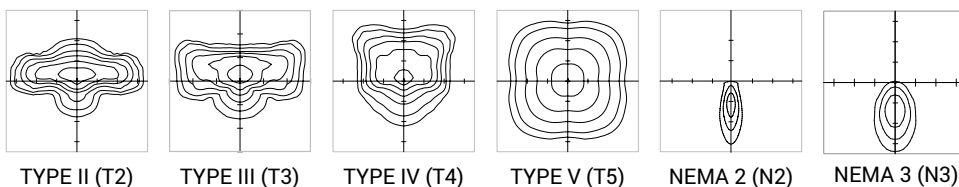
CONTROLS

- **FSP-211 (FSP-X)**—Passive infrared (PIR) sensor providing multi-level control based on motion/daylight contribution.
 - All control parameters adjustable via wireless configuration remote storing and transmitting sensor profiles.
 - FSP-20 mounting heights 9-20 feet
 - FSP-40 mounting heights 21-40 feet.
 - Includes 5 dimming event cycles, 0-10V dimming with motion sensing, reprogrammable in the field.
- **NEMA 7-PIN RECEPTACLE (PE7)**—An ANSI C136.41-2013 receptacle provides electrical and mechanical interconnection between photo control cell and luminaire. Dimming receptacle available two or four dimming contacts supports 0-10 VDC dimming methods or Digital Addressable Lighting Interface (DALI), providing reliable power interconnect.

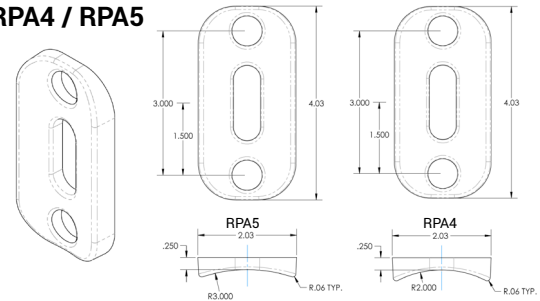
OPTICS

Silicone optics high photothermal stability and light output provides higher powered LEDs with minimized lumen depreciation LED life. UV and thermal stability with scratch resistance increases exterior application durability.

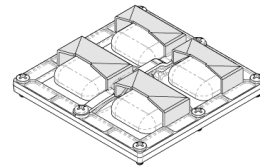
- IES Types



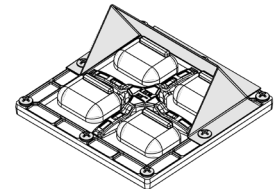
RPA4 / RPA5



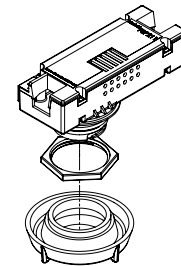
HOUSE SIDE SHIELD



AUTOMOTIVE HOUSE SIDE SHIELD



FSP-211



LUMENS

PART NUMBER	N2	LM/W	N3	LM/W	T2	LM/W	DLC	T3	LM/W	DLC	T3 HSS	LM/W	T4	LM/W	DLC	T4 AHS	LM/W	T4 HSS	LM/W	T5	LM/W	DLC	W
NV-1-16L-35-30K	1944	108	2016	112	2106	117	P	2106	117	P	1134	63	2187	116	P	1296	72	1116	62	2231	118	P	18
NV-1-16L-35-40K	2016	112	2088	116	2268	126	P	2286	127	P	1206	67	2250	125	P	1368	76	1188	66	2304	128	P	18
NV-1-16L-35-50K	2088	116	2160	120	2376	132	P	2394	133	P	1278	71	2358	131	P	1440	80	1260	70	2412	134	P	18
NV-1-16L-53-30K	3024	108	3136	112	3192	114	P	3220	115	P	1764	63	3119	113	P	2016	72	1736	62	3248	116	P	28
NV-1-16L-53-40K	3136	112	3248	116	3472	124	P	3472	124	P	1876	67	3444	123	P	2128	76	1848	66	3500	125	P	28
NV-1-16L-53-50K	3248	116	3360	120	3612	129	P	3640	130	P	1988	71	3584	128	P	2240	80	1960	70	3668	131	P	28
NV-1-16L-7-30K	3888	108	4032	112	3960	110	P	3960	110	P	2268	63	3973	109	P	2592	72	2232	62	3996	111	P	36
NV-1-16L-7-40K	4032	112	4176	116	4428	123	P	4284	119	P	2412	67	4212	117	P	2736	76	2376	66	4320	120	P	36
NV-1-16L-7-50K	4176	116	4320	120	4644	129	P	4500	125	P	2556	71	4428	123	P	2880	80	2520	70	4500	125	P	36
NV-1-16L-1-30K	6048	108	6272	112	6160	110	S	6384	114	P	3528	63	6232	112	P	4032	72	3472	62	6440	115	P	56
NV-1-16L-1-40K	6272	112	6496	116	6832	122	P	6888	123	P	3752	67	6776	121	P	4256	76	3696	66	6944	124	P	56
NV-1-16L-1-50K	6496	116	6720	120	7168	128	P	7224	129	P	3976	71	7112	127	P	4480	80	3920	70	7280	130	P	56
NV-1-32L-7-30K	7668	108	7952	112	7810	110	S	7810	110	S	4473	63	7739	109	S	5112	72	4402	62	7881	111	S	71
NV-1-32L-7-40K	7952	112	8236	116	9017	127	P	8449	119	P	4757	67	8307	117	P	5396	76	4686	66	8520	120	P	71
NV-1-32L-7-50K	8236	116	8520	120	9159	129	P	8875	125	P	5041	71	8733	123	P	5680	80	4970	70	8946	126	P	71
NV-1-32L-1-30K	11448	108	11872	112	11660	110	S	12084	114	S	6678	63	11820	112	S	7632	72	6572	62	12190	115	S	106
NV-1-32L-1-40K	11872	112	12296	116	12932	122	P	13038	123	P	7102	67	12826	121	P	8056	76	6996	66	13144	124	P	106
NV-1-32L-1-50K	12296	116	12720	120	13568	128	P	13674	129	P	7526	71	13462	127	P	8480	80	7420	70	13780	130	P	106
NV-1-48L-7-30K	11232	108	11648	112	11440	110	S	11440	110	S	6552	63	11336	109	S	7488	72	6448	62	11544	111	S	104
NV-1-48L-7-40K	11648	112	12064	116	13208	127	P	12376	119	P	6968	67	12168	117	P	7904	76	6864	66	12480	120	P	104
NV-1-48L-7-50K	12064	116	12480	120	13520	130	P	13000	125	P	7384	71	12792	123	P	8320	80	7280	70	13104	126	P	104
NV-1-48L-1-30K	16848	108	17472	112	17160	110	S	17784	114	S	9828	63	17472	112	S	11232	72	9672	62	17940	115	S	156
NV-1-48L-1-40K	17472	112	18096	116	19032	122	P	19188	123	P	10452	67	18876	121	P	11856	76	10296	66	19344	124	P	156
NV-1-48L-1-50K	18096	116	18720	120	19968	128	P	20124	129	P	11076	71	19812	127	P	12480	80	10920	70	20280	130	P	156
NV-1-64L-7-30K	14688	108	15232	112	14960	110	S	14960	110	S	8568	63	14824	109	S	9792	72	8432	62	15096	111	S	136
NV-1-64L-7-40K	15232	112	15776	116	17272	127	P	16184	119	P	9112	67	15912	117	P	10336	76	8976	66	16320	120	P	136
NV-1-64L-7-50K	15776	116	16320	120	17680	130	P	17000	125	P	9656	71	16728	123	P	10880	80	9520	70	17136	126	P	136
NV-1-64L-1-30K	22140	108	22960	112	22550	110	S	23370	114	S	12915	63	22960	112	S	14760	72	12710	62	23575	115	S	205
NV-1-64L-1-40K	22960	112	23780	116	25010	122	P	25215	123	P	13735	67	24805	121	P	15580	76	13530	66	25420	124	P	205
NV-1-64L-1-50K	23780	116	24600	120	26240	128	P	26445	129	P	14555	71	26035	127	P	16400	80	14350	70	26650	130	P	205

*DLC S= Standard  P= Premium 

BUG RATINGS

PART NUMBER	N2	T2	T3	T3 HSS	T4	T4 HSS	T5
NV-1-16L-35-30K	B2-U0-G0	B1-U0-G1	B1-U0-G1	B0-U0-G0	B1-U0-G1	B0-U0-G0	B2-U0-G0
NV-1-16L-35-40K	B2-U0-G0	B1-U0-G1	B1-U0-G1	B0-U0-G0	B1-U0-G1	B0-U0-G0	B2-U0-G0
NV-1-16L-35-50K	B2-U0-G0	B1-U0-G1	B1-U0-G1	B0-U0-G0	B1-U0-G1	B0-U0-G0	B2-U0-G2
NV-1-16L-53-30K	B3-U0-G1	B1-U0-G1	B1-U0-G1	B0-U0-G1	B1-U0-G1	B0-U0-G1	B2-U0-G1
NV-1-16L-53-40K	B3-U0-G1	B1-U0-G1	B1-U0-G1	B0-U0-G1	B1-U0-G1	B0-U0-G1	B2-U0-G1
NV-1-16L-53-50K	B2-U0-G1	B1-U0-G1	B1-U0-G1	B0-U0-G1	B1-U0-G1	B0-U0-G1	B2-U0-G1
NV-1-16L-7-30K	B3-U0-G1	B1-U0-G1	B1-U0-G1	B0-U0-G1	B1-U0-G1	B0-U0-G1	B3-U0-G1
NV-1-16L-7-40K	B3-U0-G1	B1-U0-G1	B1-U0-G1	B0-U0-G1	B1-U0-G1	B0-U0-G1	B3-U0-G1
NV-1-16L-7-50K	B3-U0-G1	B1-U0-G1	B1-U0-G1	B0-U0-G1	B1-U0-G1	B0-U0-G1	B3-U0-G1
NV-1-16L-1-30K	B3-U0-G1	B1-U0-G1	B1-U0-G1	B0-U0-G1	B1-U0-G1	B0-U0-G1	B3-U0-G1
NV-1-16L-1-40K	B3-U0-G1	B1-U0-G1	B2-U0-G2	B0-U0-G1	B2-U0-G2	B0-U0-G1	B3-U0-G2
NV-1-16L-1-50K	B4-U0-G1	B1-U0-G2	B2-U0-G2	B0-U0-G1	B2-U0-G2	B0-U0-G1	B3-U0-G2
NV-1-32L-7-30K	B4-U0-G1	B1-U0-G2	B2-U0-G2	B0-U0-G1	B2-U0-G2	B0-U0-G1	B3-U0-G2
NV-1-32L-7-40K	B4-U0-G1	B1-U0-G2	B2-U0-G2	B0-U0-G1	B2-U0-G2	B0-U0-G2	B3-U0-G2
NV-1-32L-7-50K	B4-U0-G1	B2-U0-G2	B2-U0-G2	B0-U0-G2	B2-U0-G2	B0-U0-G2	B3-U0-G2
NV-1-32L-1-30K	B4-U0-G1	B2-U0-G2	B2-U0-G2	B0-U0-G2	B2-U0-G2	B0-U0-G2	B4-U0-G2
NV-1-32L-1-40K	B4-U0-G1	B2-U0-G2	B2-U0-G2	B0-U0-G2	B3-U0-G2	B0-U0-G2	B4-U0-G2
NV-1-32L-1-50K	B4-U0-G1	B2-U0-G2	B3-U0-G3	B0-U0-G2	B3-U0-G3	B0-U0-G2	B4-U0-G2
NV-1-48L-7-30K	B4-U0-G1	B2-U0-G2	B2-U0-G2	B0-U0-G2	B2-U0-G2	B0-U0-G2	B4-U0-G2
NV-1-48L-7-40K	B4-U0-G1	B2-U0-G2	B2-U0-G2	B0-U0-G2	B2-U0-G2	B0-U0-G2	B4-U0-G2
NV-1-48L-7-50K	B4-U0-G1	B2-U0-G2	B3-U0-G3	B0-U0-G2	B2-U0-G2	B0-U0-G2	B4-U0-G2
NV-1-48L-1-30K	B5-U0-G1	B3-U0-G3	B3-U0-G3	B1-U0-G2	B3-U0-G3	B1-U0-G2	B4-U0-G2
NV-1-48L-1-40K	B5-U0-G1	B3-U0-G3	B3-U0-G3	B1-U0-G2	B3-U0-G3	B1-U0-G2	B5-U0-G3
NV-1-48L-1-50K	B5-U0-G1	B3-U0-G3	B3-U0-G3	B1-U0-G2	B3-U0-G3	B1-U0-G2	B5-U0-G3
NV-1-64L-7-30K	B5-U0-G1	B2-U0-G2	B3-U0-G3	B0-U0-G2	B3-U0-G3	B1-U0-G2	B4-U0-G2
NV-1-64L-7-40K	B5-U0-G1	B3-U0-G3	B3-U0-G3	B0-U0-G2	B3-U0-G3	B1-U0-G2	B4-U0-G2
NV-1-64L-7-50K	B5-U0-G1	B3-U0-G3	B3-U0-G3	B1-U0-G2	B3-U0-G3	B1-U0-G2	B4-U0-G2
NV-1-64L-1-30K	B5-U0-G1	B3-U0-G3	B3-U0-G3	B1-U0-G2	B3-U0-G3	B1-U0-G3	B5-U0-G3
NV-1-64L-1-40K	B5-U0-G1	B3-U0-G3	B3-U0-G3	B1-U0-G3	B3-U0-G4	B1-U0-G3	B5-U0-G3
NV-1-64L-1-50K	B5-U0-G1	B3-U0-G3	B3-U0-G3	B1-U0-G3	B3-U0-G4	B1-U0-G3	B5-U0-G3

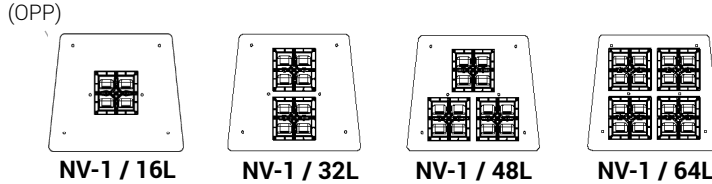


701 Kingshill Place, Carson, CA 90746
Call Us Today (310) 341-2037

nslighting.com

OPTICAL CONFIGURATIONS

Rotatable Optics (ROR) Rotated Right, (ROL) Rotated Left options available. Optics field and factory rotatable.



* **OPTIC PLATE PAINTED TO MATCH FIXTURE FINISH (OPP)**– Optic Plate standard clear anodized, Grade 2. When (OPP) specified, Optic Plate finish will match fixture finish.

EPA

EPA	SGL	D90	D180	T90	T120	QD
NV-1-DP	0.46	1.14	0.92	1.34	1.37	1.34
NV-1-KM	0.54	N/A	1.08	N/A	N/A	N/A
NV-1-ASA	0.75	1.29	1.50	1.99	2.05	1.99

L70/L90 DATA

TEMP.	NV-1	
	L70 (64L-1050mA)	L90 (64L-1050mA)
25°C	483,000	160,000

DPX ARM LENGTH

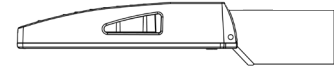
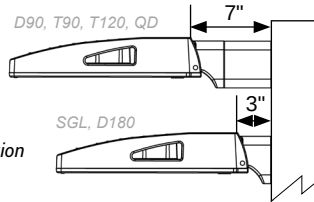
DPX ARM LENGTH	SGL	D90	D180	T90	T120	QD
NV-1	3"	7"	3"	7"	7"	7"

MOUNTING OPTIONS

DIRECT POLE (DP)

Standard mounting is extruded aluminum in lengths of 3" and 7".

*Arm lengths may vary depending on configuration



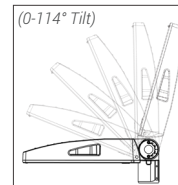
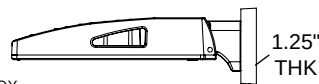
TENNIS ARM (TA)

Steel fitter slips over 3.5" x 1.5" rectangular arm.

*See Tennis Arm Spec Sheet for details

WALL MOUNT (WM)

Cast Aluminum Plate for direct wall mount. 3" extruded aluminum arm mounts directly to a cast wall mount box.



KNUCKLE MOUNT (KM)

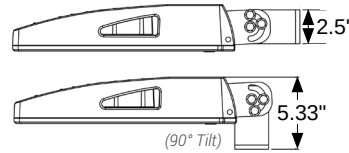
Die Cast Knuckle great for adjustable installation on 2-3/8" OD vertical or horizontal tenon.

- Max Uptilt of 114 degrees
- Adjustable in 6 degree increments

TRUNNION MOUNT (TM)

Steel, bolt-on-mounting for adjustable installation with a maximum uplift of 90 degrees.

*Unpainted stainless steel is standard



OPTIONAL

Optional Cast Aluminum Bracket, **Quick Mount Bracket (QMB)** and **Retrofit Quick Mount Bracket (RQMB)**, designed for quick mounting on Direct Square or Round Poles. Cleat mounts directly to pole for easily hung fixtures.

